



**FITTING INSTRUCTIONS FOR LP0274BK LICENCE PLATE BRACKET  
DUCATI HYPERMOTARD 950 2019- (SINGLE SIDED EXHAUST) -**



**THIS KIT CONTAINS THE ITEMS PICTURED AND LABELLED OVER PAGE.**

SOME PARTS MAY BE SHOWN FOR CLARITY OF INSTRUCTIONS ONLY.

DO NOT PROCEED UNTIL YOU ARE SURE ALL PARTS ARE PRESENT.

**PLEASE READ ALL INSTRUCTIONS BEFORE PROCEEDING.**

**IF IN ANY DOUBT WHEN FITTING OUR PRODUCTS, CONSULT ONE OF OUR DEALERS  
OR HAVE FITTED BY A QUALIFIED TECHNICIAN.**

PLEASE NOTE THAT THE WAY THE KIT IS PACKED DOES NOT NECESSARILY REPRESENT THE WAY OF  
MOUNTING TO THE BIKE.

IN THE EVENT OF RUBBER WASHERS BEING USED TO HOLD COMPONENTS ONTO BOLTS,  
THESE RUBBER WASHERS CAN BE THROWN AWAY.

**DIGITAL COPIES OF THESE INSTRUCTIONS ARE AVAILABLE FROM:**

[WWW.RG-RACING.COM](http://WWW.RG-RACING.COM)

R&G Racing

Unit 1, Shelly's Lane, East Worldham, Alton, Hampshire GU34 3AQ.

Tel: +44 (0)1420 89007 Fax +44 (0)1420 87301 [www.rg-racing.com](http://www.rg-racing.com) Email: [info@rg-racing.com](mailto:info@rg-racing.com)



<b><u>TOOLS REQUIRED</u></b>	<b><u>GENERAL TORQUE SETTINGS</u></b>
<ul style="list-style-type: none"> <li>• Set of metric Allen keys to include 4 &amp; 6mm</li> <li>• Socket set to include 6mm &amp; 8mm</li> <li>• T20 Torx tool</li> <li>• 12mm A/F Spanner</li> <li>• Small flat bladed screwdriver</li> <li>• Small amount of adhesive</li> <li>• Loctite or similar</li> </ul>	M4 BOLT = 8Nm M5 BOLT = 12Nm M6 BOLT = 15Nm M8 BOLT = 20Nm M10 BOLT = 40Nm M12 BOLT = 40Nm

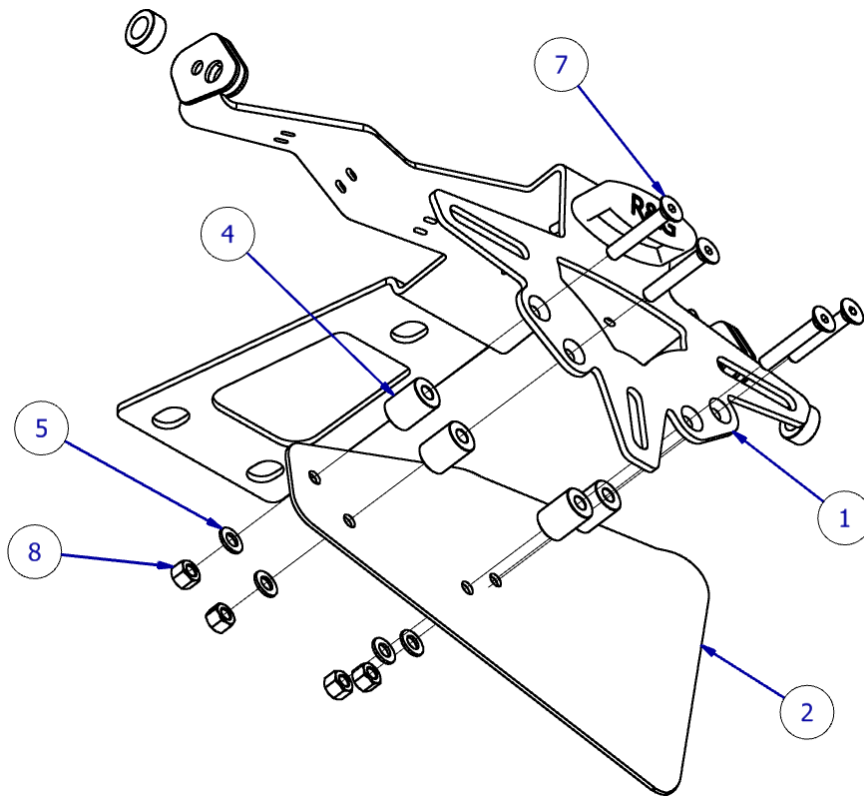
## **LEGEND**

<b>ITEM No.</b>	<b>DESCRIPTION</b>	<b>QTY</b>
ITEM 1	TB0269 PART 1 ISSUE 2 LICENCE PLATE BRACKET 2.5MM SS	1
ITEM 2	TB0274 PART 2 HEAT SHIELD - 1.5MM BRUSHED SS	1
ITEM 3	I0063 H.D.P.E DUCATI INDICATOR FASTENING PLATE	4
ITEM 4	S1198 SS HEAT SHIELD SPACERS	4
ITEM 5	M5 x 15MM OD STAINLESS WASHERS	4
ITEM 6	S1190 MINI INDICATOR SPACER	2
ITEM 7	M5x30mm COUNTERSUNK BOLTS	4
ITEM 8	M5 MECHANICAL LOCKING NUTS	4
ITEM 9	2.5mm CABLE TIES x 100mm LONG	8
ITEM 10	LA0002 No PLATE LIGHT ASSEMBLY (TO INCLUDE SHROUD)	1
ITEM 11	CON15 MINI INDICATOR ADAPTORS	2
ITEM 12	CON14 TAIL LIGHT CONNECTOR	1
ITEM 13	200mm LENGTH OF HEAT-SHRINK	3
ITEM 14	IWC0002 MINI INDICATOR WIRING COVERS	2
ITEM 15	CLIP01 SELF-ADHESIVE CABLE CLIPS	4
ITEM 16	SELF ADHESIVE REFLECTOR	1

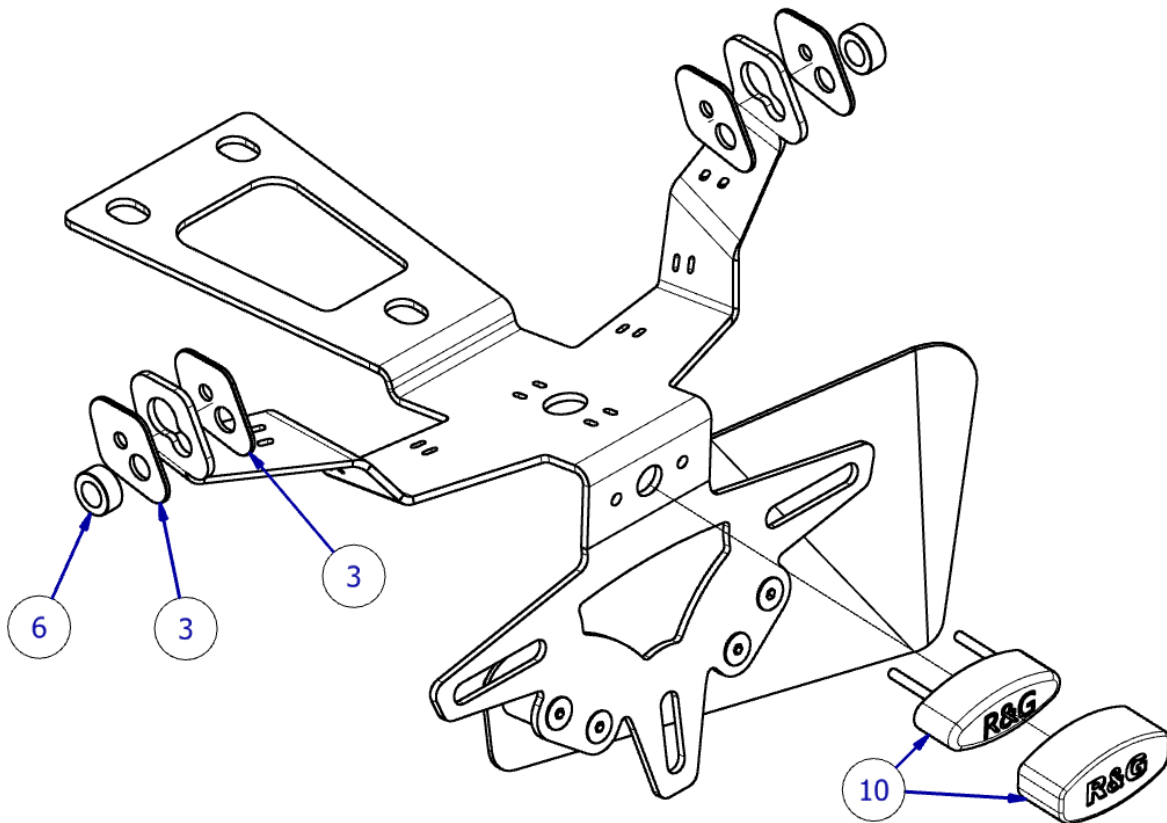
R&G Racing

Unit 1, Shelly's Lane, East Worldham, Alton, Hampshire GU34 3AQ.

Tel: +44 (0)1420 89007 Fax +44 (0)1420 87301 [www.rg-racing.com](http://www.rg-racing.com) Email: [info@rg-racing.com](mailto:info@rg-racing.com)



**ASSEMBLY DIAGRAM 1**

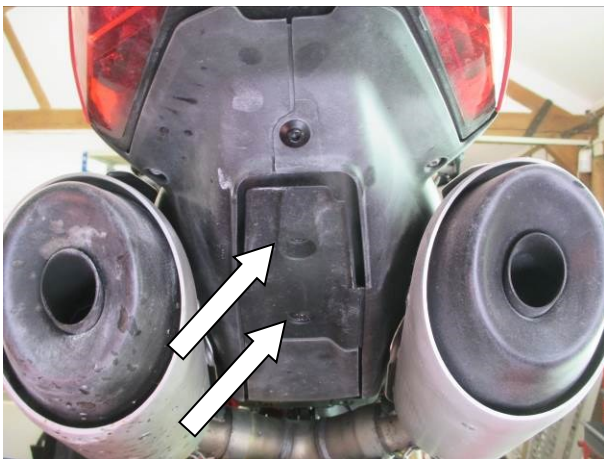
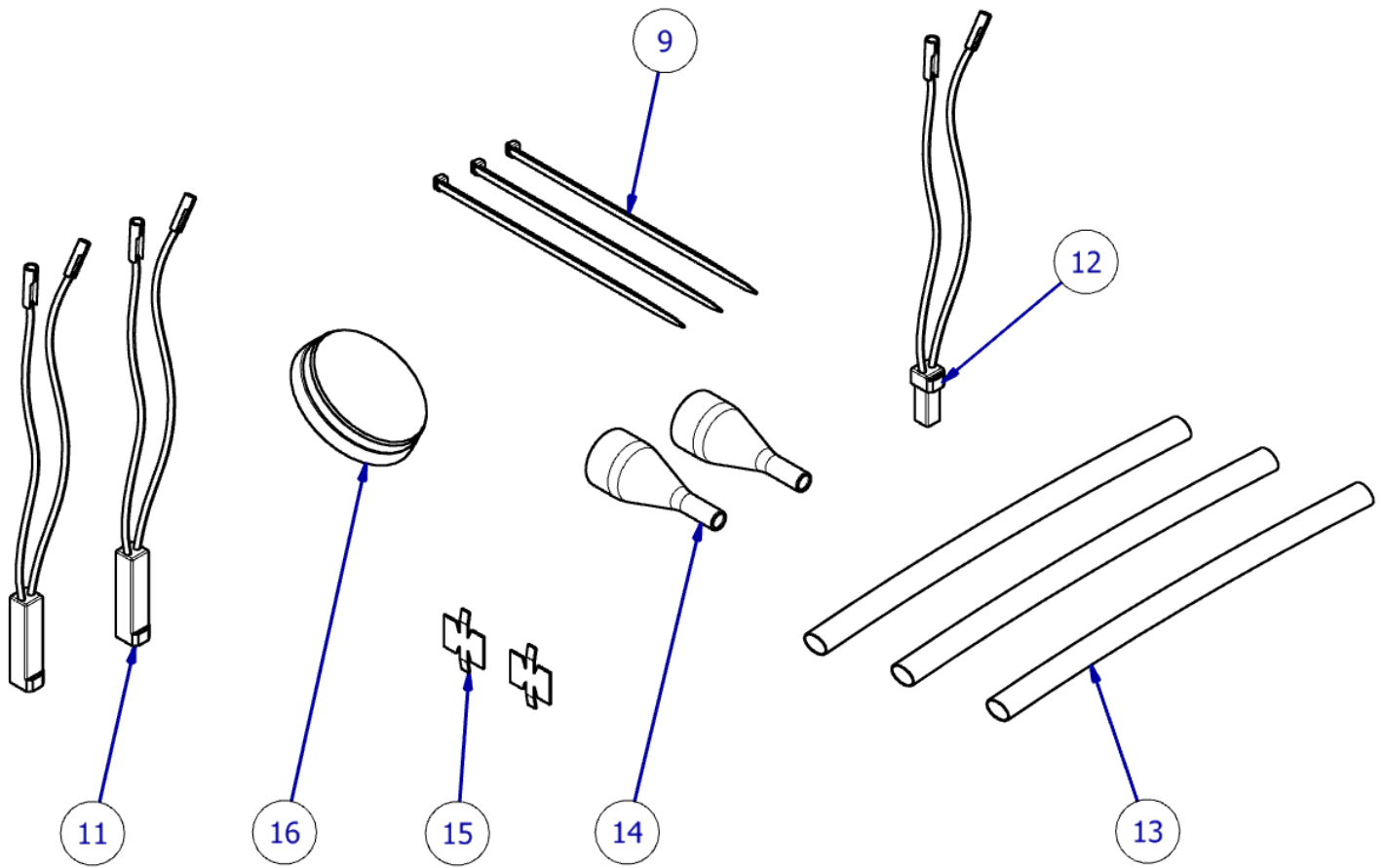


**ASSEMBLY DIAGRAM 2**

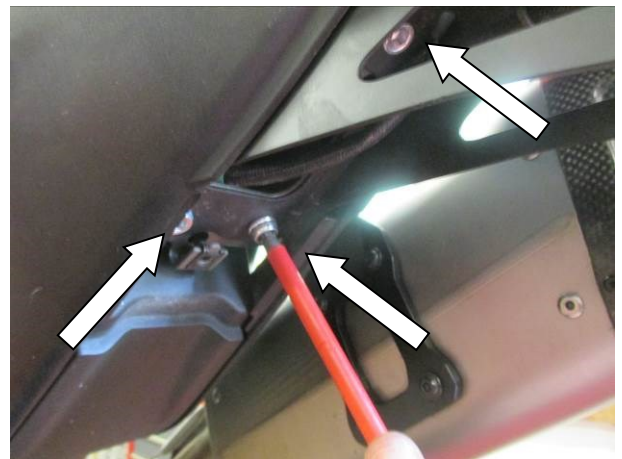
R&G Racing

Unit 1, Shelly's Lane, East Worldham, Alton, Hampshire GU34 3AQ.

Tel: +44 (0)1420 89007 Fax +44 (0)1420 87301 [www.rg-racing.com](http://www.rg-racing.com) Email: [info@rg-racing.com](mailto:info@rg-racing.com)



Picture 1



Picture 2

R&G Racing

Unit 1, Shelly's Lane, East Worldham, Alton, Hampshire GU34 3AQ.

Tel: +44 (0)1420 89007 Fax +44 (0)1420 87301 [www.rg-racing.com](http://www.rg-racing.com) Email: [info@rg-racing.com](mailto:info@rg-racing.com)



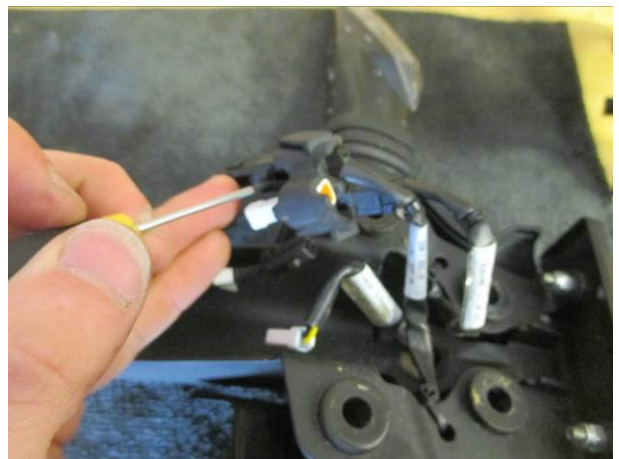
Picture 3



Picture 4



Picture 5



Picture 6



Picture 7



Picture 8



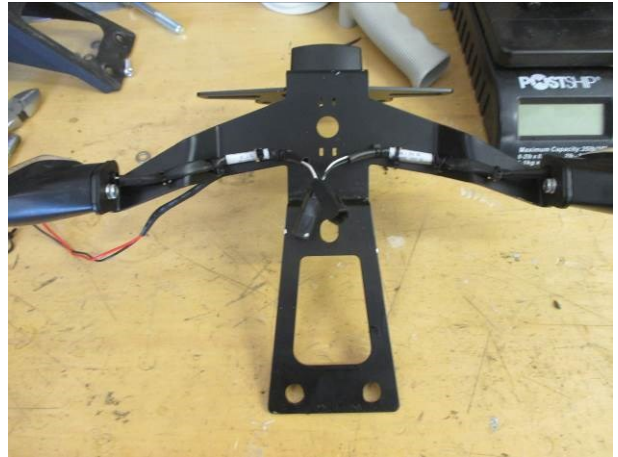
Picture 9



Picture 10



Picture 11



Picture 12



Picture 13



Picture 14

R&G Racing

Unit 1, Shelly's Lane, East Worldham, Alton, Hampshire GU34 3AQ.

Tel: +44 (0)1420 89007 Fax +44 (0)1420 87301 [www.rg-racing.com](http://www.rg-racing.com) Email: [info@rg-racing.com](mailto:info@rg-racing.com)



Picture 15



Picture 16



Picture 17