



FITTING INSTRUCTIONS FOR LP0249BK LICENCE PLATE BRACKET
 Tail Tidy for Ducati Monster 821 '18-, 1200 (S) '17- & 1200R '18- for Ducati Monster
 821 (2018)

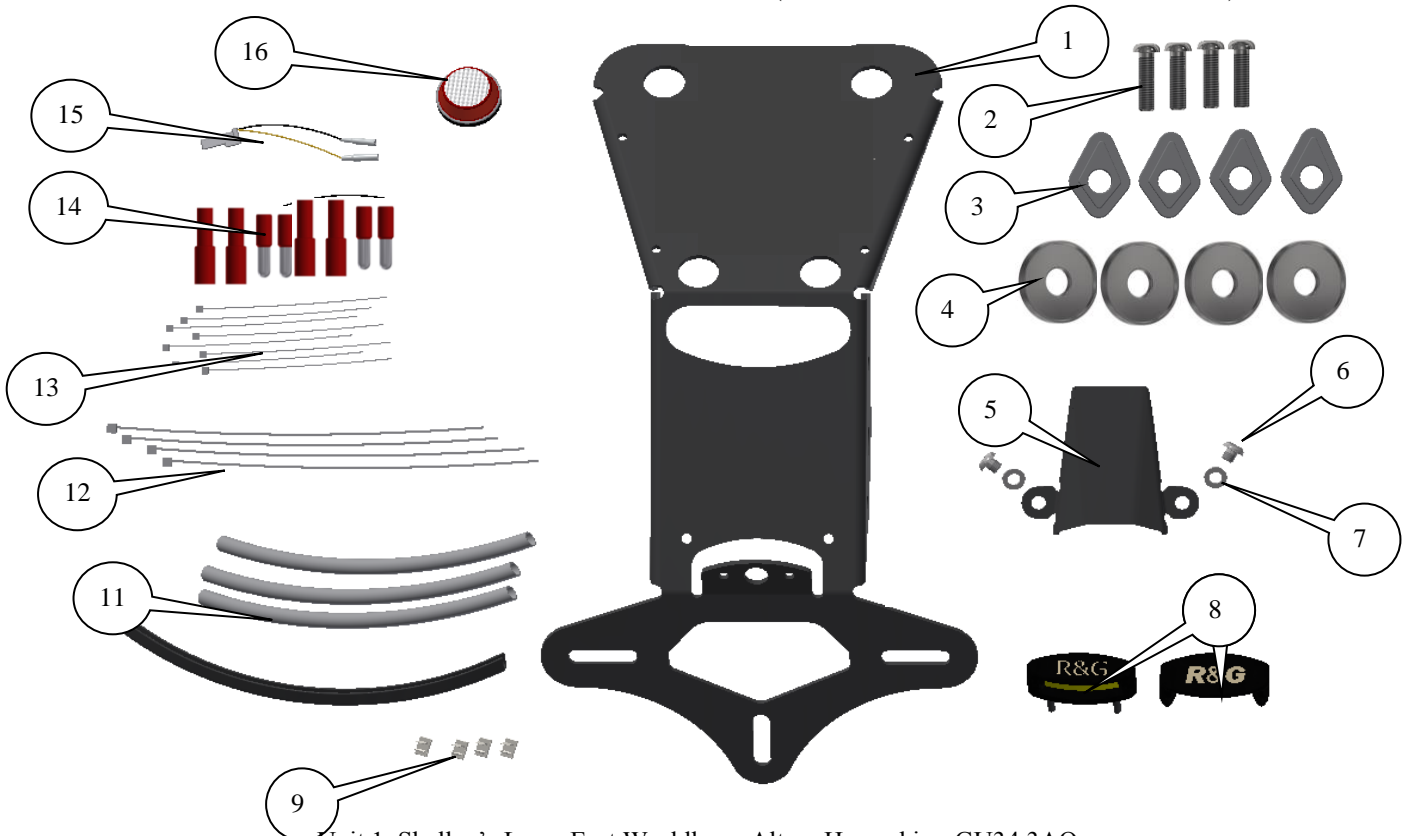
Page | 1



THIS KIT CONTAINS THE ITEMS PICTURED AND LABELLED BELOW.
DO NOT PROCEED UNTIL YOU ARE SURE ALL PARTS ARE PRESENT.

Please note that the way the kit is packed does not necessarily represent the way of mounting to the bike

THE PARTS SHOWN MAY BE REPRESENTATIVE ONLY (FOR CLARITY OF INSTRUCTIONS ONLY)



Unit 1, Shelley's Lane, East Worldham, Alton, Hampshire, GU34 3AQ
 Tel: +44 (0)1420 89007 Fax: +44 (0)1420 87301 www.rg-racing.com Email: info@rg-racing.com



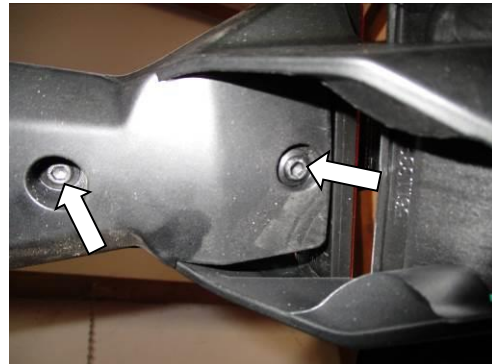
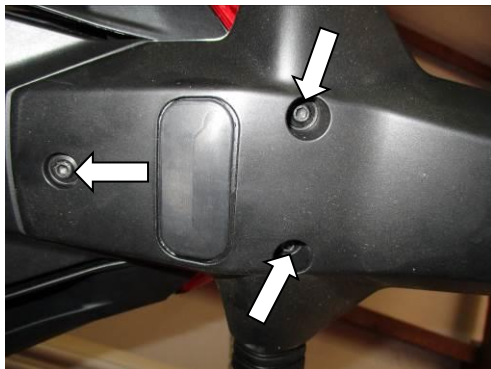
LEGEND

- ITEM 1 = MAIN LICENCE PLATE MOUNTING BRACKET (TB0249BK-PART 1) (x1).
- ITEM 2 = 4mm BUTTON HEAD BOLTS (x4).
- ITEM 3 = INDICATOR ADAPTORS (I0033) (x4).
- ITEM 4 = MOUNTING SPACERS (S1121) (x4).
- ITEM 5 = COVER (TB0224BK-PART 2) (x1).
- ITEM 6 = M4x5mm BUTTON HEAD BOLTS (x2).
- ITEM 7 = M4 WASHERS (x2).
- ITEM 8 = LICENCE PLATE ILLUMINATOR ASSEMBLY (LA0002) (x1).
- ITEM 9 = SELF ADHESIVE CABLE CLIPS (x4).
- ITEM 10 = RUBBER EDGING SEAL (SRS002) (500mm LONG) (x1).
- ITEM 11 = 180mm LENGTHS OF HEAT SHRINK (x3).
- ITEM 12 = LARGE CABLE TIES (x4).
- ITEM 13 = SMALL CABLE TIES (x8).
- ITEM 14 = INDICATOR CONNECTORS (CON0004) (x2).
- ITEM 15 = LICENCE PLATE ILLUMINATOR CONNECTOR (CON0014) (x1).
- ITEM 16 = REFLECTOR (REFL 1) (x1).
- ITEM 17 = INFILL PANEL (TB0249BK-PART 2) (x1).

Please note that in cases where kits are packed with rubber washers holding the components onto the bolt – *the rubber washers should be thrown away!*

TOOLS REQUIRED

- Set of Metric Allen keys to include 3, 4 and 6mm A/F.
 - Electrical pliers/crimps.
 - Small amount of super glue.

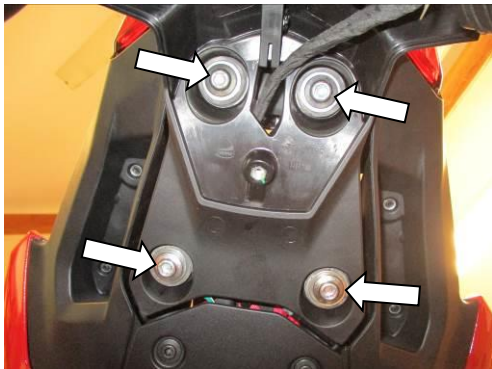


R&G



PICTURE 1

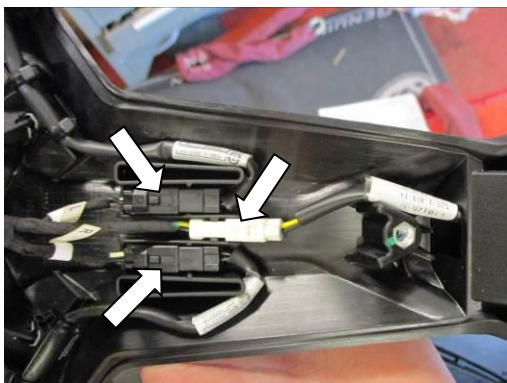
PICTURE 2



PICTURE 3



PICTURE 4



PICTURE 5



PICTURE 6



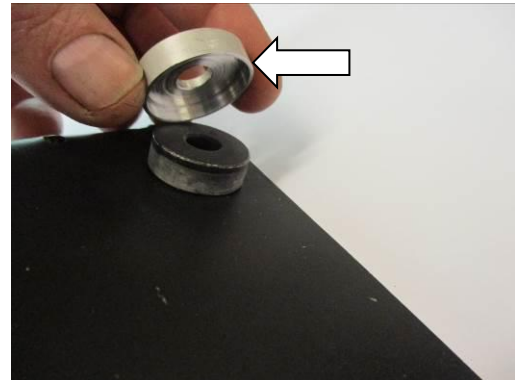


PICTURE 7

PICTURE 8



PICTURE 9



PICTURE 10



PICTURE 11



PICTURE 12



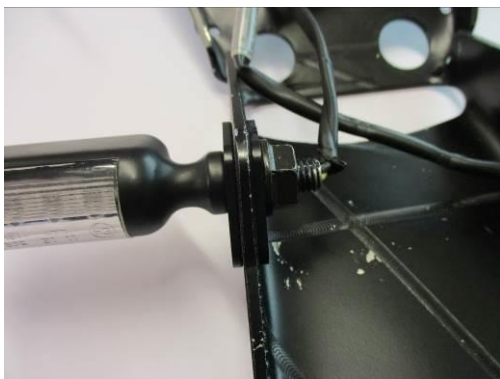
PICTURE 13



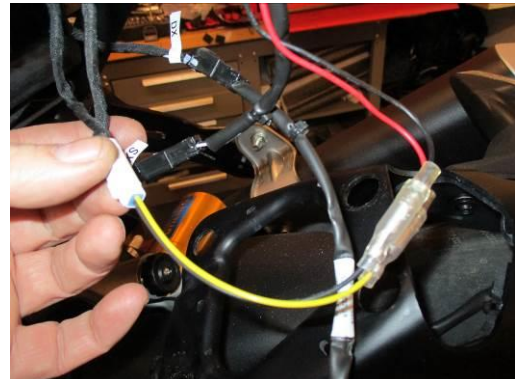
PICTURE 14



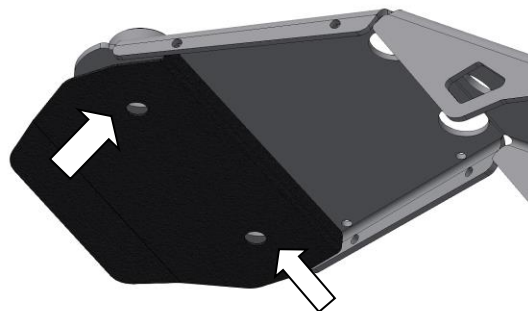
PICTURE 15



PICTURE 16



PICTURE 17



PICTURE 18

FITTING INSTRUCTIONS

- Remove the seat using the keys.
- Remove the five bolts arrowed in pictures 1 and 2.

R&G
Unit 1, Shelley's Lane, East Worldham, Alton, Hampshire, GU34 3AQ
Tel: +44 (0)1420 89007 Fax: +44 (0)1420 87301 www.rg-racing.com Email: info@rg-racing.com



- Remove the plastic cable cover/indicator clamp plate.
- Remove the four bolts arrowed in picture 3.
- Carefully lower the original licence plate bracket as shown in picture 4.
- Disconnect the three wiring plug sockets for the licence plate illuminator and indicators as arrowed in picture 5 (you will have to cut the several cable ties).
- Remove the four metal spacers as shown in picture 6.
- Remove the four rubber mounting bushes as shown in picture 7.
- Fit the four rubber mounting bushes to the new licence plate bracket (item 1) as shown in picture 8.
- Fit the four metal spacers into the four rubber mounting bushes already fitted to the new licence plate bracket (item 1) as shown in picture 9.
- Fit the four new mounting spacers (item 4) over the original metal spacers as shown in picture 10 (a small amount of adhesive may be used to keep these spacers in position).
- Cut the rubber edging strip into suitable lengths and stick in position to the cover (item 5) and the new licence plate bracket (item 1) as arrowed in pictures 11 and 12.
- Fit the new licence plate illuminator (item 8) to the new licence plate bracket (item 1) as shown in pictures 13 and 14 (please use the provided heat shrink (item 11) to protect the wiring).
- **PLEASE NOTE YOU WILL NEED TO GLUE THE LIGHT SHROUD TO THE LED LICENCE PLATE ILLUMINATOR USING SUPER GLUE.**

If reusing the original indicators

- Cut the cable ties securing the wiring and remove the indicator (please note which side it came off).
- Repeat the above to remove the other indicator (please note the relevant sides).
- Gently squeeze the indicator stem and push through the shape aperture in the new licence plate bracket (item 1) as shown in picture 15 (a small amount of silicon grease or liquid detergent helps in this process)
- Fit the indicators to the new licence plate bracket (item 1) as they were mounted originally (ensure they are fitted on the correct sides).
- Route the wiring as original
- Reconnect the indicators to the original wiring plug sockets.
- It is a good idea to check the operation of the licence plate illuminator and indicators at this stage (if the licence plate illuminator fails to light please swap the bullet connectors over).

If fitting the R&G mini indicators (R&G product code RG370=bulb, RG371=LED or RG372 for Aero LED

- Fit the indicators of choice to the new licence plate bracket (item 1) (R&G mini indicator product code RG370 for bulb type and RG371 for LED type or RG372 for Aero Style led type) through the holes in one of the indicator adaptors (item 3) so the shaped spigot fits into the bracket then fit another of the indicator adaptors onto the exposed end of the indicator stem and secure and tighten the nut (please use the provided heat shrink (item 11) to protect the wiring) as shown in picture 17. Repeat for the other indicator.
- Offer this assembly into position as shown in the top pictures.
- Use the four new button head bolts (items 2) with the original washers to secure the assembly in position.
- Route the wiring as original.

R&G

Unit 1, Shelley's Lane, East Worldham, Alton, Hampshire, GU34 3AQ
Tel: +44 (0)1420 89007 Fax: +44 (0)1420 87301 www.rg-racing.com Email: info@rg-racing.com



- Connect the licence plate illuminator using the supplied wiring connector (item 15) to the original wiring plug socket.
- Connect the R&G Mini Indicators using the supplied wiring connectors (items 14) to the original wiring plug socket. Plug it into the loom to check at this stage (if operation fails, swap the bullet connections around). (Please use the heat-shrink (item 11) to protect the new indicator wires). It is a good idea at this point to turn the ignition on and check for the correct operation of all lights.
- Fit the cover (item 5) using the M4 bolts and washers (items 6 and 7).
- Use the supplied cable ties (items 12 and 13) and self-adhesive cable clips (item 9) to secure and tidy the wiring to the bracket.
- Remove the two bolts arrowed in picture 18.
- Position the infill panel (item 17) into the plastic undertray and secure using the original bolts as shown in picture 18
- Re-fit the licence plate (it may require drilling).
- **IMPORTANT: IF FITTING A FULL-SIZE LICENCE PLATE AND PLACING IT FAR DOWN ON THE LICENCE PLATE HANGER, THERE IS A SMALL CHANCE OF THE LICENCE PLATE HITTING THE BACK WHEEL UNDER HEAVY LOAD AND OVER LARGE BUMPS IN THE ROAD. IT IS YOUR RESPONSIBILITY TO CHECK FOR THIS POSSIBILITY AND TAKE AVOIDING ACTION. FAILURE TO CHECK THIS COULD RESULT IN SERIOUS INJURY OR DAMAGE.**
- Refit the seat.
- Depending on local laws, attach enclosed red reflector (item 16) in an appropriate location.
- **Please test the indicators, rear light and licence plate illuminator before riding.**

Digital copies of these instructions are available to download from www.rg-racing.com

GENERAL TORQUE SETTINGS

M4 BOLT = 8Nm
M5 BOLT = 12Nm
M6 BOLT = 15Nm
M8 BOLT = 20Nm
M10 BOLT = 40Nm

ISSUE 1 13/06/2018 (DM)

CONSUMER NOTICE

The catalogue description and any exhibition of samples are only broad indications of the Products and R&G may make design changes which do not diminish their performance or visual appeal and supplying them in such state shall conform to the order. The Buyer acknowledges no representation or warranty (other than as to title) has been given or will apply to the Products other than those in R&G's order or confirmation and the Buyer confirms it has chosen the Products as being of merchantable quality and suitable for its particular purposes. Where R&G fits the Products or undertakes other services it shall exercise reasonable skill and care and rectify any fault free of charge unless the workmanship has been disturbed. The Buyer is responsible for ensuring that the warranty on the motorcycle is not affected by the fitting of the Products. On return of any defective Products R&G shall at its option either supply a replacement or refund the purchase money but shall not be liable if the Products have been modified or used or maintained otherwise than in accordance with R&G's or manufacturer's instructions and good engineering practice or if the defect arises from accident or neglect. Other than identified above and subject to R&G not limiting its liability for causing death and personal injury, it shall not be liable for indirect or consequential loss and otherwise its liability shall be limited to the amounts paid by the Buyer for the Products or the fitting or service concerned. These terms do not affect the Buyer's statutory rights.

R&G RETURNS POLICY (NON-FAULTY GOODS)

Returns must be pre-authorized (if not pre-authorized the return will be rejected). Goods may only be returned direct to us if they were purchased direct from us (customer must prove if necessary). Otherwise to be returned to original vendor. Goods must be in re-sellable condition, in the opinion of R&G. All returns are subject to a 25% restocking and handling fee (25% of the gross value exc. P&P – at the prevailing price at time of purchase). The customer must pay any and all carriage charges. No returns of

R&G

Unit 1, Shelley's Lane, East Worldham, Alton, Hampshire, GU34 3AQ

Tel: +44 (0)1420 89007 Fax: +44 (0)1420 87301 www.rg-racing.com Email: info@rg-racing.com