



**FITTING INSTRUCTIONS FOR CP0267BL CRASH PROTECTORS**  
**SUZUKI GSX 1250FA 2010**

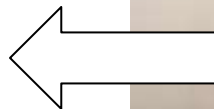


**THIS KIT CONTAINS THE ITEMS PICTURED AND LISTED BELOW.**  
**DO NOT PROCEED UNTIL YOU ARE SURE ALL PARTS ARE PRESENT.**

**Please note that the way the kit is packed does not necessarily represent the way of mounting to the bike**

THE PARTS SHOWN MAY BE REPRESENTATIVE ONLY (FOR CLARITY OF INSTRUCTIONS ONLY)

TOWARDS REAR  
OF BIKE



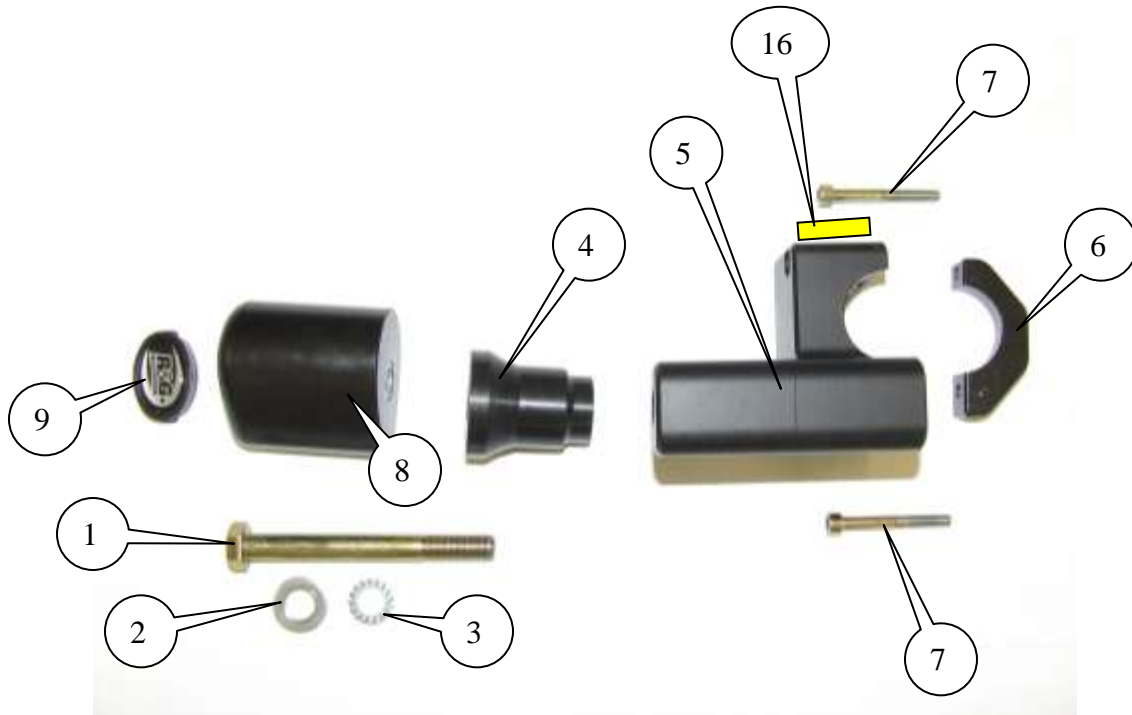
TOWARDS FRONT  
OF BIKE



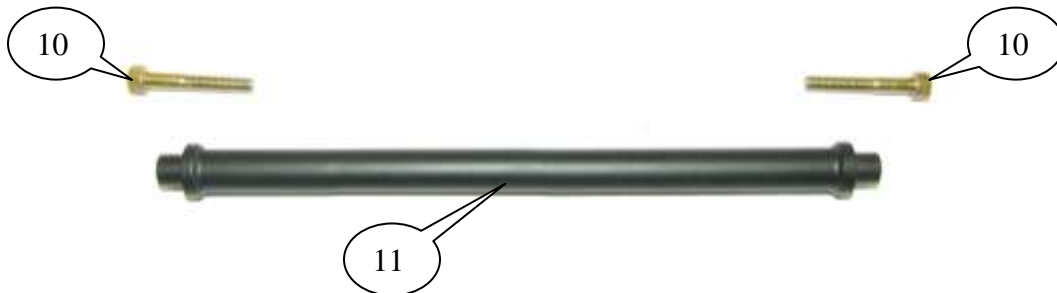
PICTURE 1



**LEFT HAND SIDE**

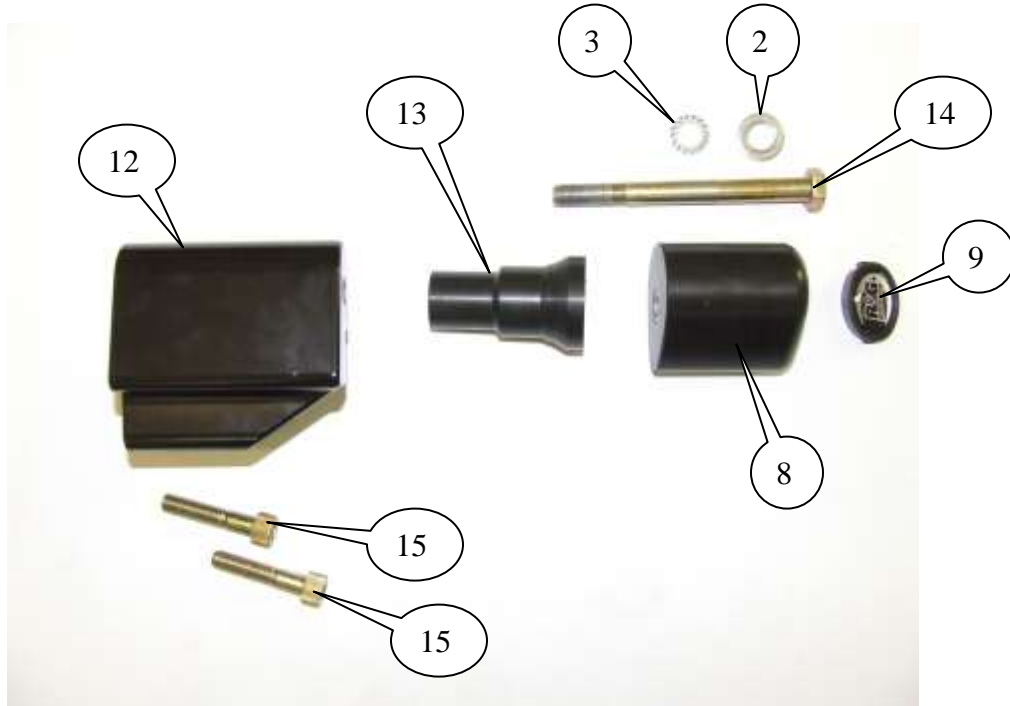


**TIE BAR**





**RIGHT HAND SIDE**



**LEGEND**

- ITEM 1 = M12x1.25x140 LONG HEX HEAD BOLT (CRASH PROTECTOR BOLT LHS) (x1).
- ITEM 2 = M12 WASHERS (x2).
- ITEM 3 = LW0001 (M12 SHAKE PROOF WASHERS) (x2).
- ITEM 4 = S0381 (CRASH PROTECTOR SPACER LHS 83mm LONG) (x1).
- ITEM 5 = M0259 (MOUNTING BLOCK LHS) (x1).
- ITEM 6 = F0024 (CLAMPING BLOCK LHS) (x1).
- ITEM 7 = M6x1x50 LONG CAP HEAD BOLTS (CLAMP BOLTS LHS) (x2).
- ITEM 8 = B0061 with CS340 (12mm) (BOTH CRASH PROTECTORS) (x2).
- ITEM 9 = BC0002 CRASH PROTECTOR CAPS (x2).
- ITEM 10 = M6x1x30 LONG CAP HEAD BOLTS (TIE-BAR BOLTS BOTH SIDES) (x2).
- ITEM 11 = M0261 (TIE BAR) (x1).
- ITEM 12 = M0260 (MOUNTING BLOCK RHS) (x1).
- ITEM 13 = S0382 (CRASH PROTECTOR SPACER RHS 76mm LONG) (x1).
- ITEM 14 = M12x1.25x130 LONG HEX HEAD BOLT (CRASH PROTECTOR BOLT RHS) (x1).
- ITEM 15 = M10x1.25x50 LONG CAP HEAD BOLTS (MOUNTING BLOCK (M0260) TO FRAME BOLTS RHS) (x2).



ITEM 16 = 100mm LENGTH OF SELF ADHESIVE FOAM (x2) SHOWN IN YELLOW.

Please note that in cases where kits are packed with rubber washers holding the components onto the bolt – *the rubber washers should be thrown away!*

#### **TOOLS REQUIRED**

- Set of metric Allen keys to include 4, 5 and 8mm A/F sizes.
- Socket set to include 10 and 19mm socket and wrench.
  - 14mm spanner.
  - Flat bladed driver.
- Torque wrench (up to 40Nm)



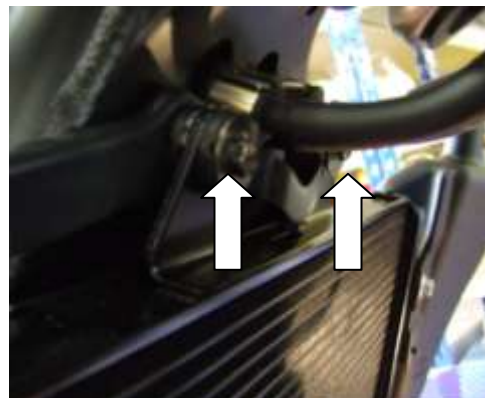
PICTURE 2



PICTURE 3



PICTURE 4



PICTURE 5



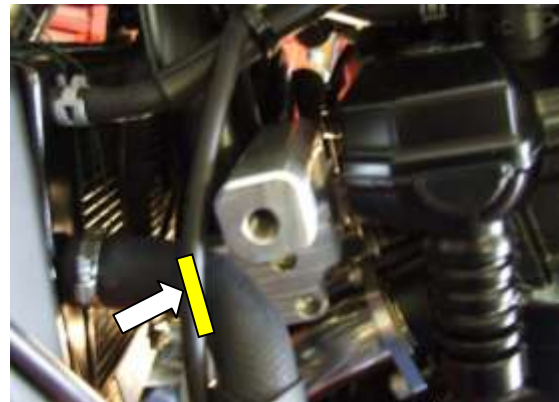
PICTURE 6



PICTURE 7



PICTURE 8



PICTURE 9

### **RIGHT HAND SIDE (AS YOU SIT ON THE BIKE)**

- REMOVE ALL FAIRING BOLTS AND PUSH RIVETS AS SHOWN IN PICTURES 2 AND 3 (PICTURE 2=LHS, PICTURE 3=RHS).
- REMOVE BOTH SIDE FAIRINGS (DISCONNECT INDICATOR WIRING PLUGS).
- REMOVE THE THREE RADIATOR MOUNTING BOLTS ARROWED IN PICTURES 4 & 5, AND GENTLY EASE RADIATOR TOWARDS FRONT WHEEL.
- USING THE 14mm SPANNER (ON THE INBOARD NUTS) AND 8mm ALLEN KEY OR HEX DRIVE SOCKET REMOVE THE TWO FRAME BOLTS AS SHOWN IN PICTURE 6.
- FIT THE TIE BAR (M0261) INTO THE MOUNTING BLOCK (M0260) AS SHOWN IN PICTURE 7 USING M6x30 LONG CAP HEAD BOLT (ITEM 10), DO NOT TIGHTEN AT THIS STAGE.





- FIT BLOCK (M0260, ITEM 12) ONTO THE FRAME MOUNTS AS SHOWN IN PICTURE 8 AND SECURE USING CAP HEAD BOLTS (ITEM 15) AND ORIGINAL NUTS (DO NOT TIGHTEN AT THIS STAGE).

#### **LEFT HAND SIDE (AS YOU SIT ON THE BIKE)**

- **APPLY THE SELF ADHESIVE NEOPRENE FOAM (ITEM 16) THE FACE OF THE MOUNTING BLOCK (M0259) AS SHOWN IN PICTURE 9 SO IT SITS BETWEEN THE RADIATOR AND BLOCK.**
- FIT BLOCK (M0259, ITEM 5) TO FRAME AS SHOWN IN PICTURE 9 (THE FRAME MOUNTING SPIGOT WILL SIT INTO THE RECESS IN THE FACE OF THE BLOCK). ENSURE THE TIE BAR SITS INTO THE COUNTER-BORE IN FACE OF BLOCK.
- FIT THE CLAMPING BLOCK (F0024, ITEM 6) AROUND FRAME AND SECURE IN POSITION USING THE CAPHEAD BOLTS FROM KIT. DO NOT TIGHTEN AT THIS STAGE.
- ENGAGE THE SECOND TIE BAR BOLT THROUGH THE BLOCK AND INTO THE TIE BAR. DO NOT TIGHTEN AT THIS STAGE.
- WHILST LIFTING THE BLOCK (M0259, ITEM 5) JUST FITTED AWAY FROM THE EXHAUST TIGHTEN THE CLAMP BOLTS.
- TIGHTEN THE TIE BAR BOLT ON THIS SIDE.

#### **RIGHT HAND SIDE (AS YOU SIT ON THE BIKE)**

- WHILE LIFTING THE BLOCK (M0260, ITEM 12) AWAY FROM THE EXHAUST TIGHTEN THE FRAME BOLTS.
- TIGHTEN THE TIE BAR BOLT ON THIS SIDE.
- REFIT AND TIGHTEN THE RADIATOR.
- REFIT AND TIGHTEN BOTH FAIRINGS (ENSURE TO RECONNECT THE INDICATORS).
- PLACE ONE OF M12 WASHERS (ITEM 2) ONTO THE M12x 130mm LONG HEX HEAD BOLT (ITEM 14) AND THEN PUT ONE OF THE LOCKING WASHERS (LW0001, ITEM 3) ON BOLT AGAINST THE PLAIN WASHER JUST FITTED. PUT THIS BOLT WITH WASHERS THROUGH THE CRASH PROTECTOR (B0061, ITEM 8), PLACE THE SHORTER 76mm LONG SPACER (S0382, ITEM 13) ON EXPOSED END OF BOLT.
- OFFER THIS ASSEMBLY UP TO THE TAPPED HOLE IN THE MOUNTING BLOCK (M0260, ITEM 12) AND TIGHTEN. **PLEASE NOTE THE CRASH PROTECTOR (SLIDER) MUST BE POSITIONED AS SHOWN IN PICTURE 1 WITH BIGGER END TOWARD FRONT OF BIKE.** (DO NOT EXCEED 40Nm TORQUE).
- FIT CRASH PROTECTOR CAPS (ITEM 9).

#### **LEFT HAND SIDE (AS YOU SIT ON THE BIKE)**

- PLACE THE REMAINING M12 WASHER (ITEM 2) ONTO THE M12x 140mm LONG HEX HEAD BOLT (ITEM 1) AND THEN PUT ONE THE LOCKING WASHER (LW0001, ITEM 3) ON BOLT AGAINST THE PLAIN WASHER JUST FITTED. PUT THIS BOLT WITH WASHERS THROUGH THE CRASH PROTECTOR (B0061, ITEM 8), PLACE THE LONGER 83mm LONG SPACER (S0381, ITEM 4) ON EXPOSED END OF BOLT.



- OFFER THIS ASSEMBLY UP TO THE TAPPED HOLE IN THE MOUNTING BLOCK (M0260, ITEM 12) AND TIGHTEN. **PLEASE NOTE THE CRASH PROTECTOR (SLIDER) MUST BE POSITIONED AS SHOWN IN PICTURE 1 WITH BIGGER END TOWARD FRONT OF BIKE.** (DO NOT EXCEED 40Nm TORQUE).
- FIT CRASH PROTECTOR CAPS (ITEM 9).



### **ASSEMBLY PICTURE OF KIT OFF THE MOTORCYCLE**

#### **CONSUMER NOTICE**

The catalogue description and any exhibition of samples are only broad indications of the Products and R&G may make design changes which do not diminish their performance or visual appeal and supplying them in such state shall conform to the order. The Buyer acknowledges no representation or warranty (other than as to title) has been given or will apply to the Products other than those in R&G's order or confirmation and the Buyer confirms it has chosen the Products as being of merchantable quality and suitable for its particular purposes. Where R&G fits the Products or undertakes other services it shall exercise reasonable skill and care and rectify any fault free of charge unless the workmanship has been disturbed. The Buyer is responsible for ensuring that the warranty on the motorcycle is not affected by the fitting of the Products. On return of any defective Products R&G shall at its option either supply a replacement or refund the purchase money but shall not be liable if the Products have been modified or used or maintained otherwise than in accordance with R&G's or manufacturer's instructions and good engineering practice or if the defect arises from accident or neglect. Other than identified above and subject to R&G not limiting its liability for causing death and personal injury, it shall not be liable for indirect or consequential loss and otherwise its liability shall be limited to the amounts paid by the Buyer for the Products or the fitting or service concerned. These terms do not affect the Buyer's statutory rights.

#### **R&G RACING RETURNS POLICY (NON-FAULTY GOODS)**

Returns must be pre-authorized (if not pre-authorized the return will be rejected). Goods may only be returned direct to us if they were purchased direct from us (customer must prove if necessary). Otherwise to be returned to original vendor. Goods must be in resellable condition, in the opinion of R&G Racing. All returns are subject to a 25% restocking and handling fee (25% of the gross value exc. P&P – at the prevailing price at time of purchase). The customer must pay any and all carriage charges. No returns of discontinued products, unless within 14 days of purchase. This policy does not affect your statutory rights and does not refer to faulty goods.

R&G Racing

Unit 1, Shelley's Lane, East Worldham, Alton, Hampshire, GU34 3AQ

Tel: +44 (0)1420 89007 Fax: +44 (0)1420 87301 [www.rg-racing.com](http://www.rg-racing.com) Email: [info@rg-racing.com](mailto:info@rg-racing.com)