



FITTING INSTRUCTIONS FOR SBP0015 SPINDLE BLANKING PLATE



**This kit contains the items pictured and labelled over page.
Some parts may be shown for clarity of instructions only.
Do not proceed until you are sure all parts are present.
Please read all instructions before proceeding.**

**IF IN ANY DOUBT WHEN FITTING OUR PRODUCTS, CONSULT ONE OF OUR DEALERS
OR HAVE FITTED BY A QUALIFIED TECHNICIAN.**

Please note that the way the kit is packed does not necessarily represent the way of mounting to the bike.

In the event of rubber washers being used to hold components onto bolts, these rubber washers can be thrown away.

**DIGITAL COPIES OF THESE INSTRUCTIONS ARE AVAILABLE FROM
WWW.RG-RACING.COM**

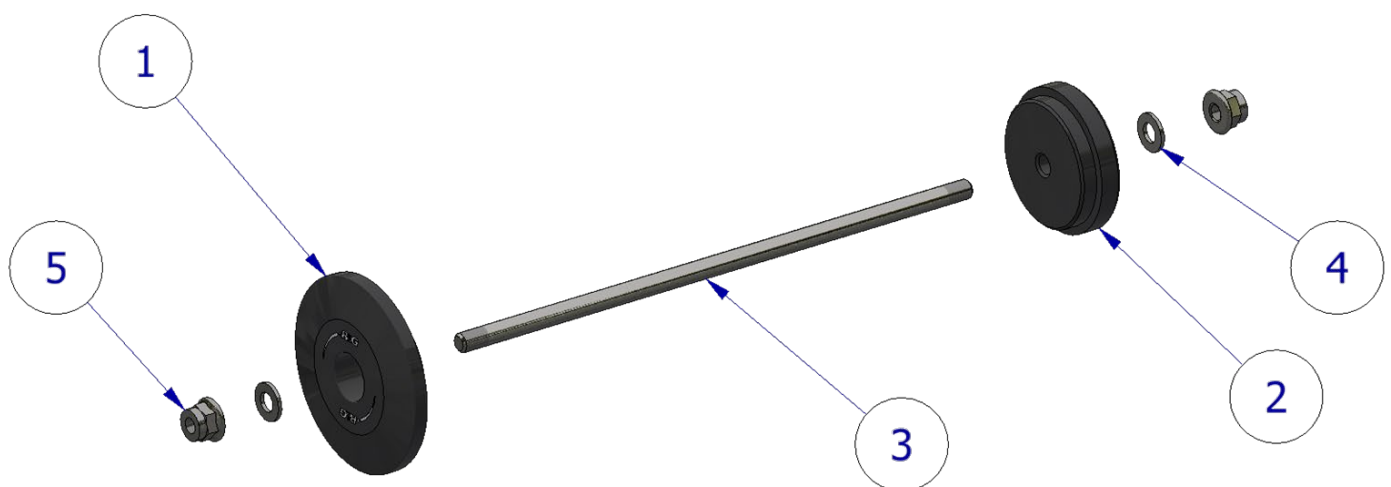


<u>TOOLS REQUIRED</u>	<u>GENERAL TORQUE SETTINGS</u>
<ul style="list-style-type: none"> • Metric socket set • Loctite blue 242 	<p>M4 BOLT = 8Nm</p> <p>M5 BOLT = 12Nm</p> <p>M6 BOLT = 15Nm</p> <p>M8 BOLT = 20Nm</p> <p>M10 BOLT = 40Nm</p> <p>M12 BOLT = 40Nm</p>

LEGEND

ITEM No.	DESCRIPTION	QTY
ITEM 1	SPINDLE CAP (LHS)	1
ITEM 2	SPINDLE CAP (RHS)	1
ITEM 3	SPINDLE BAR	1
ITEM 4	M8 WASHER	2
ITEM 5	M8 NUT	2

EXPLODED ASSEMBLY DIAGRAM





FITTING INSTRUCTIONS

- Remove the plastic dust cover that sits over the rear wheel spindle in the swingarm. Using a small/thin screwdriver or similar, gently ease the cover out from the outer edge.
- Fit one nut and washer (**Items 4 & 5**) on the spindle-bar (**Item 3**), engage the nut so the plastic insert of nut is fully engaged. It is recommended to use a small amount of Loctite or superglue to fix this nut as this will aid when tightening the opposite side later.
- Feed spindle-bar with nut and washer through the LHS spindle cap (**Item 1**).
- Place this assembly through the rear wheel spindle from the left hand side, ensuring the groove on the rear of the metal spindle cap fits over the exposed end of the rear wheel spindle.
- With the spindle bar protruding from the right side of the bike, position the RHS spindle cap (**Item 2**) over the exposed thread, ensuring it locates onto the rear wheel spindle and fit the remaining washer and nyloc nut.
- Tighten both nuts ensuring both are engaged in nylon and equal amounts protrude from either side (please ensure the logo is located at the top of the crash protector). Do not overtighten – the nyloc nuts will hold it tight.

See more R&G products for your Motorcycle in the links below:

[R&G Racing | Frame sliders, crash protectors, frame protectors from R&G for all sportsbikes. \(rg-racing.com\)](http://rg-racing.com)

Issue 1 – 16/02/2023 (MH)

CONSUMER NOTICE

The catalogue description and any exhibition of samples are only broad indications of the Products and R&G may make design changes which do not diminish their performance or visual appeal and supplying them in such state shall conform to the order. The Buyer acknowledges no representation or warranty (other than as to title) has been given or will apply to the Products other than those in R&G's order or confirmation and the Buyer confirms it has chosen the Products as being of merchantable quality and suitable for its particular purposes. Where R&G fits the Products or undertakes other services it shall exercise reasonable skill and care and rectify any fault free of charge unless the workmanship has been disturbed. The Buyer is responsible for ensuring that the warranty on the motorcycle is not affected by the fitting of the Products. On return of any defective Products R&G shall at its option either supply a replacement or refund the purchase money but shall not be liable if the Products have been modified or used or maintained otherwise than in accordance with R&G's or manufacturer's instructions and good engineering practice or if the defect arises from accident or neglect. Other than identified above and subject to R&G not limiting its liability for causing death and personal injury, it shall not be liable for indirect or consequential loss and otherwise its liability shall be limited to the amounts paid by the Buyer for the Products or the fitting or service concerned. These terms do not affect the Buyer's statutory rights.

R&G RETURNS POLICY (NON-FAULTY GOODS)

Returns must be pre-authorized (if not pre-authorized the return will be rejected). Goods may only be returned direct to us if they were purchased direct from us (customer must prove if necessary). Otherwise to be returned to original vendor. Goods must be in re-sellable condition, in the opinion of R&G. All returns are subject to a 25% restocking and handling fee (25% of the gross value exc. P&P – at the prevailing price at time of purchase). The customer must pay any and all carriage charges. No returns of discontinued products, unless within 14 days of purchase. This policy does not affect your statutory rights and does not refer to faulty goods.