



FITTING INSTRUCTIONS FOR CP0544BL AERO CRASH PROTECTORS
SUZUKI GSX-S1000 GT 2022-



THIS KIT CONTAINS THE ITEMS PICTURED AND LABELLED OVER PAGE.

SOME PARTS MAY BE SHOWN FOR CLARITY OF INSTRUCTIONS ONLY.

DO NOT PROCEED UNTIL YOU ARE SURE ALL PARTS ARE PRESENT.

PLEASE READ ALL INSTRUCTIONS BEFORE PROCEEDING.

**IF IN ANY DOUBT WHEN FITTING OUR PRODUCTS, CONSULT ONE OF OUR DEALERS OR
HAVE FITTED BY A QUALIFIED TECHNICIAN.**

PLEASE NOTE THAT THE WAY THE KIT IS PACKED DOES NOT NECESSARILY REPRESENT THE WAY OF
MOUNTING TO THE BIKE.

IN THE EVENT OF RUBBER WASHERS BEING USED TO HOLD COMPONENTS ONTO BOLTS,
THESE RUBBER WASHERS CAN BE THROWN AWAY.

DIGITAL COPIES OF THESE INSTRUCTIONS ARE AVAILABLE TO DOWNLOAD FROM
WWW.RG-RACING.COM



<u>TOOLS REQUIRED</u>	<u>GENERAL TORQUE SETTINGS</u>
<ul style="list-style-type: none"> • 8mm ALLEN KEY • 17mm SOCKET AND EITHER A 3/8" OR 1/2" WRENCH. • TORQUE WRENCH CAPABLE OF 40Nm. • SUITABLE JACK WITH SOFT SUPPORT AREA (TO SUPPORT ENGINE WHILE MOUNTING BOLTS REMOVED). 	<p>M4 BOLT = 8Nm M5 BOLT = 12Nm M6 BOLT = 15Nm M8 BOLT = 20Nm M10 BOLT = 40Nm M12 BOLT = 40Nm</p>

LEGEND

ITEM NO.	DESCRIPTION	QTY
ITEM 1	B0431 WITH CS341 (BOBBIN)	2
ITEM 2	BC0002 (BOBBIN CAP)	2
ITEM 3	S1090 (LHS SPACER – 22mm LONG x 10.5mm ID x 21mm OD)	1
ITEM 4	S0798 (RHS SPACER – 23mm LONG x 10.5mm ID x 22.5mm OD)	1
ITEM 5	M10 x 1.25 x 110mm HEX HEAD BOLT (LHS BOBBIN BOLT)	1
ITEM 6	M10 x 1.25 x 120mm HEX HEAD BOLT (RHS BOBBIN BOLT)	1
ITEM 7	M10 x 20mm OD WASHER	2
ITEM 8	M12 EXTERNAL SHAKEPROOF WASHER	2

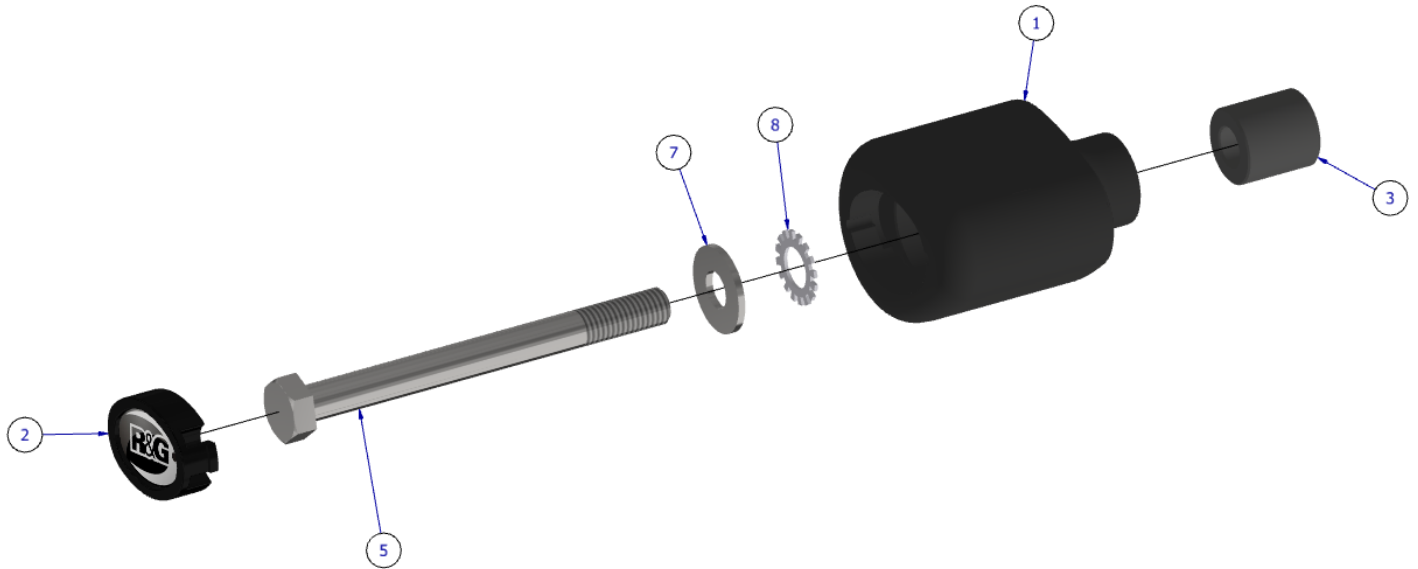
R&G

Unit 1, Shelley's Lane, East Worldham, Alton, Hampshire, GU34 3AQ

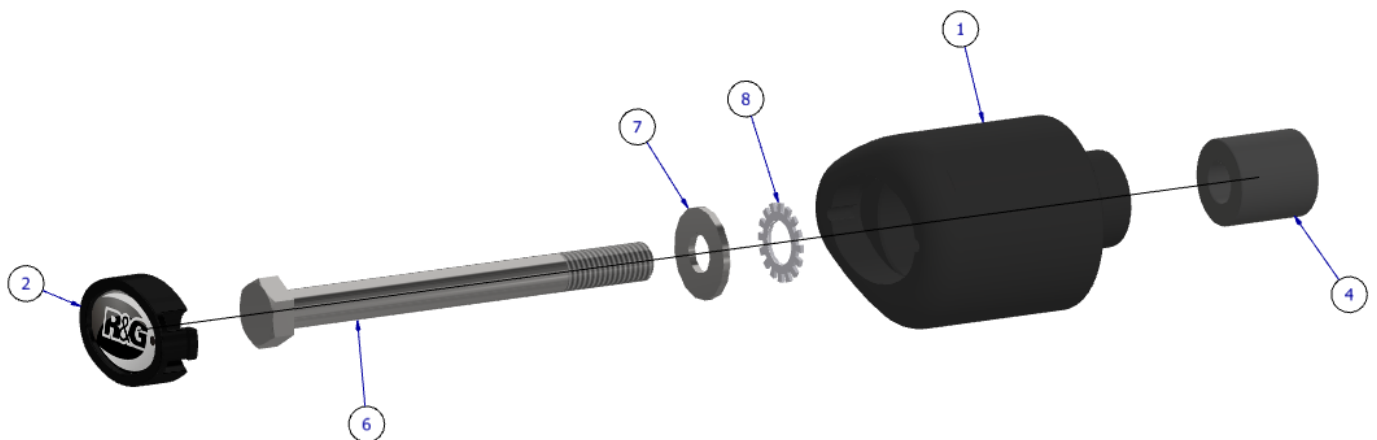
Tel: +44 (0)1420 89007 Fax: +44 (0)1420 87301 www.rg-racing.com Email: info@rg-racing.com



ASSEMBLY DIAGRAM – LHS



ASSEMBLY DIAGRAM - RHS



R&G

Unit 1, Shelley's Lane, East Worldham, Alton, Hampshire, GU34 3AQ

Tel: +44 (0)1420 89007 Fax: +44 (0)1420 87301 www.rg-racing.com Email: info@rg-racing.com



AERO-STYLE CRASH PROTECTOR ORIENTATION



FITTING PICTURES



Picture 1



Picture 2