



**FITTING INSTRUCTIONS FOR LP0319BK**  
**LICENSE PLATE BRACKET**  
**HONDA MSX 125 GROM 2021-**



**THIS KIT CONTAINS THE ITEMS PICTURED AND LABELLED OVER PAGE.**

SOME PARTS MAY BE SHOWN FOR CLARITY OF INSTRUCTIONS ONLY.

DO NOT PROCEED UNTIL YOU ARE SURE ALL PARTS ARE PRESENT.

**PLEASE READ ALL INSTRUCTIONS BEFORE PROCEEDING.**

**IF IN ANY DOUBT WHEN FITTING OUR PRODUCTS, CONSULT ONE OF OUR DEALERS  
OR HAVE FITTED BY A QUALIFIED TECHNICIAN.**

PLEASE NOTE THAT THE WAY THE KIT IS PACKED DOES NOT NECESSARILY REPRESENT THE WAY OF  
MOUNTING TO THE BIKE.

IN THE EVENT OF RUBBER WASHERS BEING USED TO HOLD COMPONENTS ONTO BOLTS,  
THESE RUBBER WASHERS CAN BE THROWN AWAY.

**DIGITAL COPIES OF THESE INSTRUCTIONS ARE AVAILABLE FROM:**

[WWW.RG-RACING.COM](http://WWW.RG-RACING.COM)

R&G Racing

Unit 1, Shelley's Lane, East Worldham, Alton, Hampshire, GU34 3AQ

Tel: +44 (0)1420 89007 Fax: +44 (0)1420 87301 [www.rg-racing.com](http://www.rg-racing.com) Email: [info@rg-racing.com](mailto:info@rg-racing.com)



<b><u>TOOLS REQUIRED</u></b>	<b><u>GENERAL TORQUE SETTINGS</u></b>
<ul style="list-style-type: none"> <li>• 6, 8, 10 &amp; 12mm SPANNERS OR SOCKETS</li> <li>• ALLEN KEY SET</li> <li>• SMALL FLAT HEAD SCREWDRIVER</li> </ul>	<p>M4 BOLT = 8Nm</p> <p>M5 BOLT = 12Nm</p> <p>M6 BOLT = 15Nm</p> <p>M8 BOLT = 20Nm</p> <p>M10 BOLT = 40Nm</p> <p>M12 BOLT = 40Nm</p>

### **LEGEND**

<b>ITEM NO.</b>	<b>PART NUMBER</b>	<b>DESCRIPTION</b>	<b>QTY</b>
ITEM 1	TB0319	LICENSE PLATE BRACKET	1
ITEM 2	MP0260	MINI INDICATOR BRACKET	1
ITEM 3	MP0261	OEM INDICATOR BRACKET	1
ITEM 4	LA0002	NUMBER PLATE LIGHT	1
ITEM 5	IWC0001	INDICATOR WIRING COVER	2
ITEM 6	M6x1.0x16	BUTTON HEAD BOLT (INDICATOR BRACKET)	2
ITEM 7	M6x1.0x25	BUTTON HEAD BOLT (REAR MOUNTING BOLTS)	2
ITEM 8	M6x1.0x30	BUTTON HEAD BOLT (FRONT MOUNTING BOLTS)	2
ITEM 9	M6x1.0	M6x1.00 - NYLOC NUT	6
ITEM 10	M6x12mm	WASHER	12
ITEM 11	CON0004	NUMBER PLATE LIGHT CONNECTOR	1
ITEM 12	CT100	2.5x100mm CABLE TIES	2
ITEM 13	666-896/23	230mm HEAT SHRINK	3
ITEM 14	CLIP 1	SELF ADHESIVE CLIPS	2

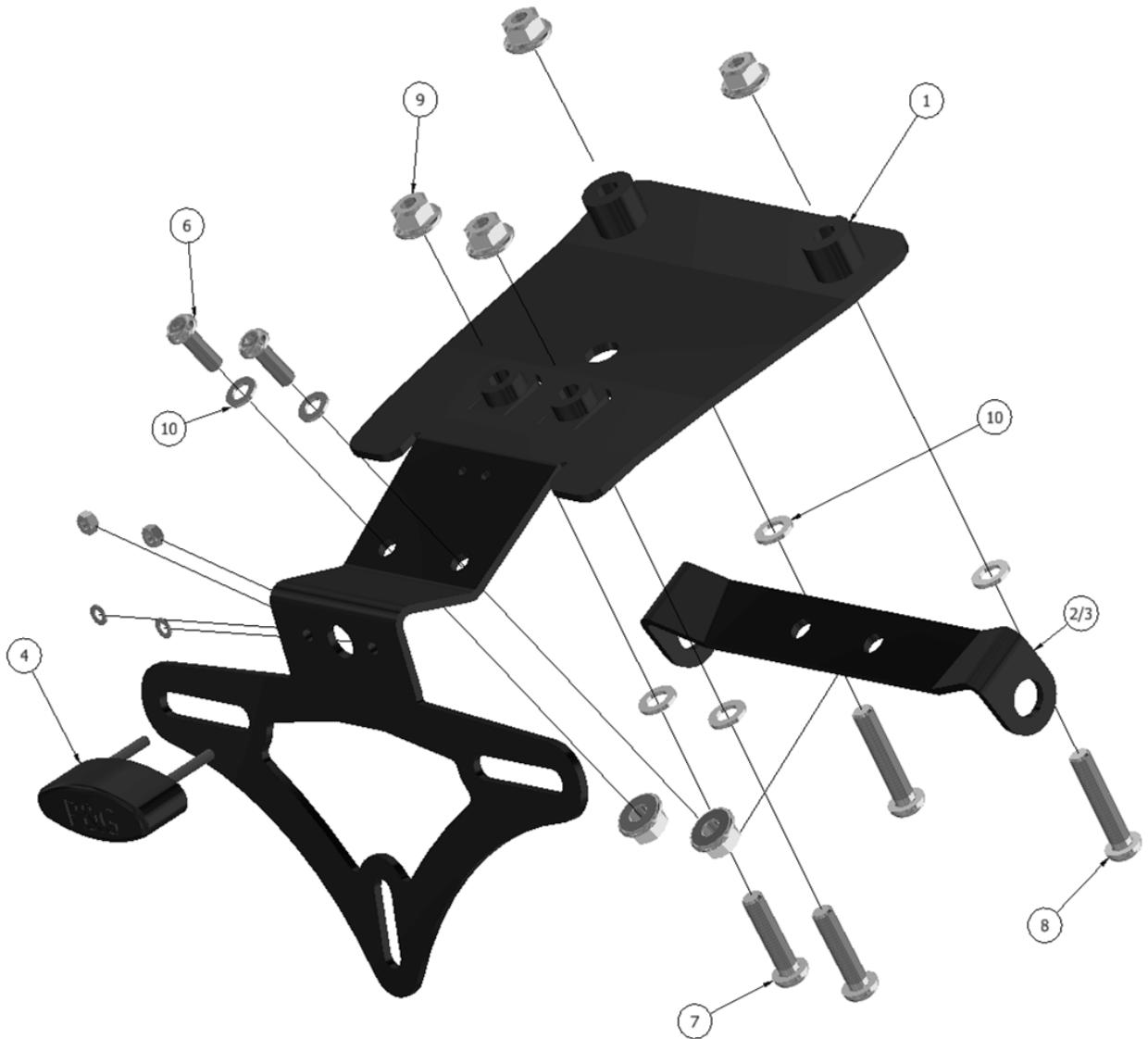
R&G Racing

Unit 1, Shelley's Lane, East Worldham, Alton, Hampshire, GU34 3AQ

Tel: +44 (0)1420 89007 Fax: +44 (0)1420 87301 [www.rg-racing.com](http://www.rg-racing.com) Email: [info@rg-racing.com](mailto:info@rg-racing.com)



**EXPLODED VIEW**





**FITTING PICTURES**

**PICTURE 1**



**PICTURE 2**



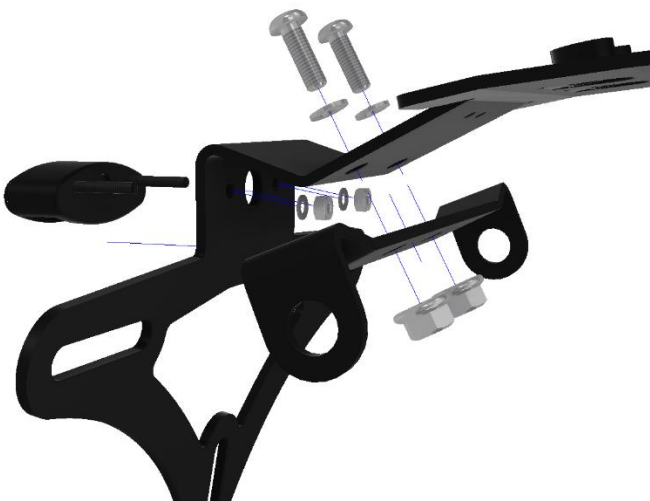
**PICTURE 3**



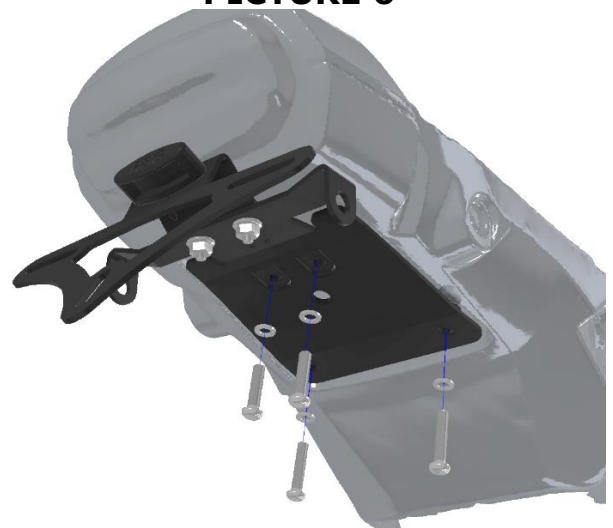
**PICTURE 4**



**PICTURE 5**

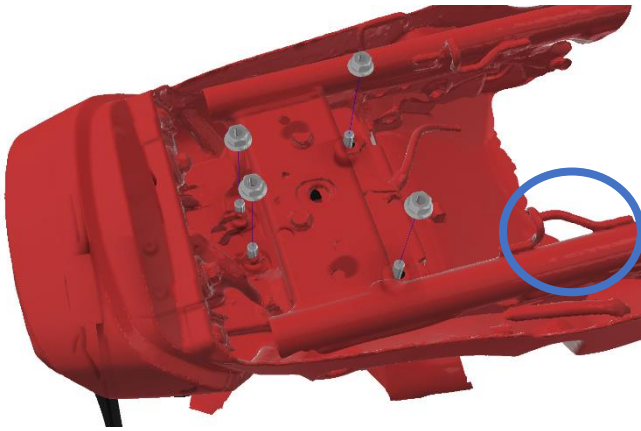


**PICTURE 6**





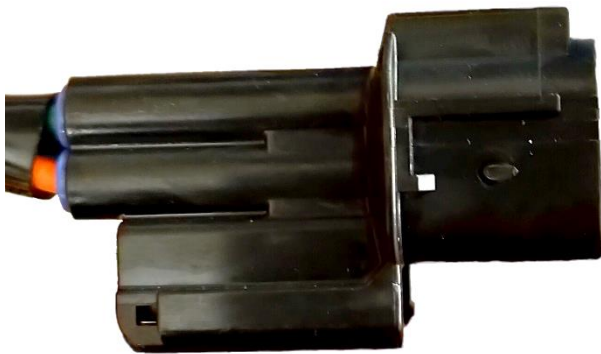
**PICTURE 7**



**PICTURE 8**



**PICTURE 9**



**PICTURE 10**



**PICTURE 11**





## FITTING INSTRUCTIONS

### Disassembly Of The Standard Tail Unit

- Firstly, remove the seat unit from the motorcycle.
- Using a small flat head screwdriver, carefully un-plug the OEM lighting connectors located in the blue circled area in **Picture 7**, the connectors should look similar to **Picture 9**.
- Using a 4mm allen key and 10mm socket, remove the four bolts circled red in **Picture 10**.
- Once the OEM bolts have been removed the tail unit can be removed.

#### If Re-Using OEM indicators

- Remove the bolts circled in red from the tail unit shown in **Picture 11**.
- Disconnect the bullet connectors circled in green (**Picture 11**).
- Remove the OEM indicators from the assembly.
- Remove and keep for later use the OEM indicator and plate light connectors.

### Preparing The Assembly

- Please follow the exploded assembly diagram on **Page 3**.
- Firstly, prepare the wiring on the licence plate light (**Item 4**) & indicators (if mini-indicators are being fitted instead of OEM).
- Cut two small sections of heat shrink (**Item 13**) roughly 10-15mm in length for use later.

#### If fitting micro indicators

- Push the wires through the supplied heat shrink and apply heat with a heat gun or lighter until it can no longer be moved freely (**Picture 1**).
- As shown in **Picture 2** pass the wires through the supplied OEM indicator bracket (**Item 3**) followed by a flange nut (which are supplied separately with micro indicators), then the indicator wiring cover (**Item 10**).
- Once the wiring cover is in position push over the small piece of heat shrink that was trimmed off previously and heat until the wiring cover can no longer be moved. (**Picture 3**)
- Then push the wires through the hole in the centre of the licence plate bracket.
- If the micro indicators that are being used do not have bullet connectors, please use the supplied bullet connectors (**Item 11, Picture 4**) which can be connected to the cables previously removed from the OEM tail unit.

#### If fitting OEM indicators

- Insert the indicators through the supplied OEM indicator bracket (**Item 3**) and tighten the nut that was also removed from the OEM tail unit.
- Following the diagram in **Picture 5**, insert the threaded bars of the supplied **R&G** number plate light (**Item 4**) into the licence plate bracket, then add the washers and nuts included with the licence plate light and tighten down until secure.
- Bolt together the indicator bracket (Either OEM (**Item 3**) or Mini indicator bracket (**Item 2**)) with the smaller 16mm button head bolts (**Item 6**) with 2X washers and nyloc nuts.
- Then push the cables through the hole in the centre of the licence plate bracket.

### Fitting The R&G Tail Tidy

- Following the exploded diagram on **Page 3**, place washers over the remaining four bolts.
- Push the 30mm button heads bolts (**Item 8**) through the front mounting points of the bracket.
- Then the smaller 25mm button head bolts (**Item 7**) can be pushed through the rear mounting points.

R&G Racing

Unit 1, Shelley's Lane, East Worldham, Alton, Hampshire, GU34 3AQ

Tel: +44 (0)1420 89007 Fax: +44 (0)1420 87301 [www.rg-racing.com](http://www.rg-racing.com) Email: [info@rg-racing.com](mailto:info@rg-racing.com)





- The assembly can then be offered up to the motorcycle's undertray with the threaded ends of the bolts being pushed through the undertray. (**Picture 6**)
- Making sure to thread the cables through the hole in the motorcycle's undertray.
- Once through, the remaining nyloc nuts can be hand tightened onto the protruding bolts to hold the assembly in place.
- Using a 4mm allen key and a 10mm socket, tighten each bolt until secure
- Re-connect the OEM wiring that was previously removed from the standard tail unit, connecting the indicators and plate light's bullet connectors with the standard wiring.
- Tidy the cables using the supplied cable ties (**Item 12**) and self-adhesive clips (**Item 14**) so they are out of sight and will not get caught on other parts.
- Once connected, please switch on the ignition and test the function of the indicators and number plate light, ensuring that the indicators are flashing on the correct side.

**IMPORTANT:**

IF FITTING A FULL-SIZE LICENCE PLATE AND PLACING IT FAR DOWN ON THE LICENCE PLATE HANGER, THERE IS A SMALL CHANCE OF THE LICENCE PLATE HITTING THE BACK WHEEL UNDER HEAVY LOAD AND OVER LARGE BUMPS IN THE ROAD. IT IS YOUR RESPONSIBILITY TO CHECK FOR THIS POSSIBILITY AND TAKE AVOIDING ACTION. FAILURE TO CHECK THIS COULD RESULT IN SERIOUS INJURY.

ISSUE 1 - 06/12/2021 (TB)

**CONSUMER NOTICE**

The catalogue description and any exhibition of samples are only broad indications of the Products and R&G may make design changes which do not diminish their performance or visual appeal and supplying them in such state shall conform to the order. The Buyer acknowledges no representation or warranty (other than as to title) has been given or will apply to the Products other than those in R&G's order or confirmation and the Buyer confirms it has chosen the Products as being of merchantable quality and suitable for its particular purposes. Where R&G fits the Products or undertakes other services it shall exercise reasonable skill and care and rectify any fault free of charge unless the workmanship has been disturbed. The Buyer is responsible for ensuring that the warranty on the motorcycle is not affected by the fitting of the Products. On return of any defective Products R&G shall at its option either supply a replacement or refund the purchase money but shall not be liable if the Products have been modified or used or maintained otherwise than in accordance with R&G's or manufacturer's instructions and good engineering practice or if the defect arises from accident or neglect. Other than identified above and subject to R&G not limiting its liability for causing death and personal injury, it shall not be liable for indirect or consequential loss and otherwise its liability shall be limited to the amounts paid by the Buyer for the Products or the fitting or service concerned. These terms do not affect the Buyer's statutory rights.

**R&G RACING RETURNS POLICY (NON-FAULTY GOODS)**

Returns must be pre-authorized (if not pre-authorized the return will be rejected). Goods may only be returned direct to us if they were purchased direct from us (customer must prove if necessary). Goods to be returned to original vendor. Goods must be in re-sellable condition, in the opinion of R&G Racing. All returns are subject to a 25% restocking and handling fee (25% of the gross value exc. P&P - at the prevailing price at time of purchase). The customer must pay any and all carriage charges. No returns of discontinued products, unless within 14 days of purchase. This policy does not affect your statutory rights and does not refer to faulty goods.

R&G Racing

Unit 1, Shelley's Lane, East Worldham, Alton, Hampshire, GU34 3AQ

Tel: +44 (0)1420 89007 Fax: +44 (0)1420 87301 [www.rg-racing.com](http://www.rg-racing.com) Email: [info@rg-racing.com](mailto:info@rg-racing.com)